



**RBI Bearing, Inc.**

# **Stainless Steel & Thermoplastic**

***Corrosion Resistant Mounted Units***





# STAINLESS STEEL UNITS



## STAINLESS STEEL PILLOW BLOCK

BEARING UNIT	SHAFT DIAMETER		DIMENSIONS (in) OR (mm)											BOLT USED		BEARING	HOUSING	WEIGHT	
	d		H	A	E	B	S2	S1	G	W	Bi	N	M	(in)	(mm)			(kg)	(lbs)
	(in)	(mm)																	
SUCSP 204-12 SUCSP 204	3/4	20	1.3110 33.3	5.0000 127	3.7402 95	1.4961 38	0.7480 19	0.5118 13	0.5118 13	2.5591 65	1.2205 31	0.5000 12.7	0.7205 18.3	3/8	M10	SUC 204-12 SUC 204	SP204	0.7	1.54
SUCSP 205-16 SUCSP 205	1	25	1.4370 36.5	5.5118 140	4.1339 105	1.4961 38	0.7480 19	0.5118 13	0.5906 15	2.7953 71	1.3425 34.1	0.5630 14.3	0.7795 19.8	3/8	M10	SUC 205-16 SUC 205	SP205	0.85	1.87
SUCSP 206-19 SUCSP 206-20 SUCSP 206	1 - 3/16 1 - 1/4	30	1.6890 42.9	6.4961 165	4.7638 121	1.8898 48	0.7874 20	0.6693 17	0.6693 17	3.3071 84	1.5000 38.1	0.6260 15.9	0.8740 22.2	1/2	M14	SUC 206-19 SUC 206-20 SUC 206	SP206	1.2	2.64
SUCSP 207-20 SUCSP 207-22 SUCSP 207-23 SUCSP 207	1 - 1/4 1 - 3/8 1 - 7/16	35	1.8740 47.6	6.5748 167	5.0000 127	1.8898 48	0.7874 20	0.6693 17	0.7480 19	3.6614 93	1.6890 42.9	0.6890 17.5	1.0000 25.4	1/2	M14	SUC 207-20 SUC 207-22 SUC 207-23 SUC 207	SP207	1.7	3.74
SUCSP 208-24 SUCSP 208	1 - 1/2	40	1.9370 49.2	7.2441 184	5.3937 137	2.1260 54	0.7874 20	0.6693 17	0.7874 20	3.8583 98	1.9370 49.2	0.7480 19	1.1890 30.2	1/2	M14	SUC 208-24 SUC 208	SP208	2.1	4.62
SUCSP 209-28 SUCSP 209	1 - 3/4	45	2.1260 54	7.4803 190	5.7480 146	2.1260 54	0.7874 20	0.6693 17	0.7874 20	4.1732 106	1.9370 49.2	0.7480 19	1.1890 30.2	1/2	M14	SUC 209-28 SUC 209	SP209	2.4	5.28
SUCSP 210-31 SUCSP 210-32 SUCSP 210	1 - 15/16 2	50	2.2520 57.2	8.1102 206	6.2598 159	2.3622 60	0.8661 22	0.7874 20	0.8661 22	4.4882 114	2.0315 51.6	0.7480 19	1.2835 32.6	5/8	M16	SUC 210-31 SUC 210-32 SUC 210	SP210	2.9	6.38
SUCSP 211-35 SUCSP 211	2 - 3/16	55	2.5000 63.5	8.6220 219	6.7323 171	2.3622 60	0.8661 22	0.7874 20	0.8661 22	4.9213 125	2.1890 55.6	0.8740 22.2	1.3150 33.4	5/8	M16	SUC 211-35 SUC 211	SP211	3.7	8.14
SUCSP 212-39 SUCSP 212	2 - 7/16	60	2.7480 69.8	9.4882 241	7.2441 184	2.7559 70	0.9843 25	0.7874 20	0.9843 25	5.4331 138	2.5630 65.1	1.0000 25.4	1.5630 39.7	5/8	M16	SUC 212-39 SUC 212	SP212	4.9	10.78

## STAINLESS STEEL 4-BOLT FLANGE BLOCK

BEARING UNIT	SHAFT DIAMETER		DIMENSIONS (in) OR (mm)											BOLT USED		BEARING	HOUSING	WEIGHT	
	d		A	E	I	G	L	S	Z	Bi	N	M	(in)	(mm)	(kg)			(lbs)	
	(in)	(mm)																	
SUCSF 204-12 SUCSF 204	3/4	20	3.3858 86	2.5197 64	0.5906 15	0.4331 11	0.9843 25	0.4724 12	1.3110 33.3	1.2205 31	0.5000 12.7	0.7205 18.3	3/8	M10	SUC 204-12 SUC 204	SF 204	0.6	1.32	
SUCSF 205-16 SUCSF 205	1	25	3.7402 95	2.7559 70	0.6299 16	0.5118 13	1.0630 27	0.4724 12	1.4094 35.8	1.3425 34.1	0.5630 14.3	0.7795 19.8	3/8	M10	SUC 205-16 SUC 205	SF205	0.86	1.89	
SUCSF 206-19 SUCSF 206-20 SUCSF 206	1 - 3/16 1 - 1/4	30	4.2520 108	3.2677 83	0.7087 18	0.5118 13	1.2205 31	0.4724 12	1.5827 40.2	1.5000 38.1	0.6260 15.9	0.8740 22.2	3/8	M10	SUC 206-19 SUC 206-20 SUC 206	SF206	1.1	2.42	
SUCSF 207-20 SUCSF 207-22 SUCSF 207-23 SUCSF 207	1 - 1/4 1 - 3/8 1 - 7/16	35	4.6063 117	3.6220 92	0.7480 19	0.5906 15	1.3386 34	0.5512 14	1.7480 44.4	1.6890 42.9	0.6890 17.5	1.0000 25.4	7/16	M12	SUC 207-20 SUC 207-22 SUC 207-23 SUC 207	SF207	1.6	3.52	
SUCSF 208-24 SUCSF 208	1 - 1/2	40	5.1181 130	4.0157 102	0.8268 21	0.5906 15	1.4173 36	0.6299 16	2.0157 51.2	1.9370 49.2	0.7480 19	1.1890 30.2	1/2	M14	SUC 208-24 SUC 208	SF208	1.9	4.18	
SUCSF 209-28 SUCSF 209	1 - 3/4	45	5.3937 137	4.1339 105	0.8661 22	0.6299 16	1.4961 38	0.6299 16	2.0551 52.2	1.9370 49.2	0.7480 19	1.1890 30.2	1/2	M14	SUC 209-28 SUC 209	SF209	2.4	5.28	
SUCSF 210-31 SUCSF 210-32 SUCSF 210	1 - 15/16 2	50	5.6299 143	4.3701 111	0.8661 22	0.6299 16	1.5748 40	0.6299 16	2.1496 54.6	2.0315 51.6	0.7480 19	1.2835 32.6	1/2	M14	SUC 210-31 SUC 210-32 SUC 210	SF210	2.6	5.72	
SUCSF 211-35 SUCSF 211	2 - 3/16	55	6.3780 162	5.1181 130	0.9843 25	0.7087 18	1.6929 43	0.7480 19	2.2992 58.4	2.1890 55.6	0.8740 22.2	1.3150 33.4	5/8	M16	SUC 211-35 SUC 211	SF211	3.5	7.70	
SUCSF 212-39 SUCSF 212	2 - 7/16	60	6.8898 175	5.6299 143	1.1417 29	0.7087 18	1.8898 48	0.7480 19	2.7047 68.7	2.5630 65.1	1.0000 25.4	1.5630 39.7	5/8	M16	SUC 212-39 SUC 212	SF212	4.2	9.24	

## STAINLESS STEEL 2-BOLT FLANGE BLOCK

BEARING UNIT	SHAFT DIAMETER		DIMENSIONS (in) OR (mm)											BOLT USED		BEARING	HOUSING	WEIGHT	
	d		A	E	I	G	L	S	B	Z	Bi	N	M	(in)	(mm)			(kg)	(lbs)
	(in)	(mm)																	
SUCSFL 204-12 SUCSFL 204	3/4	20	4.4488 113	3.5433 90	0.5906 15	0.4331 11	1.0039 25.5	0.4724 12	2.3622 60	1.3110 33.3	1.2205 31	0.5000 12.7	0.5000 18.3	3/8	M10	SUC 204-12 SUC 204	SFL204	0.47	1.03
SUCSFL 205-16 SUCSFL 205	1	25	5.1181 130	3.8976 99	0.6299 16	0.5118 13	1.0630 27	0.6299 16	2.6772 68	1.4094 35.8	1.3425 34.1	0.5630 14.3	0.5000 19.8	1/2	M14	SUC 205-16 SUC 205	SFL205	0.63	1.39
SUCSFL 206-19 SUCSFL 206-20 SUCSFL 206	1 - 3/16 1 - 1/4	30	5.8268 148	4.6063 117	0.7087 18	0.5118 13	1.2205 31	0.6299 16	3.1496 80	1.5827 40.2	1.5000 38.1	0.6260 15.9	0.5000 22.2	1/2	M14	SUC 206-19 SUC 206-20 SUC 206	SFL206	0.85	1.87
SUCSFL 207-20 SUCSFL 207-22 SUCSFL 207-23 SUCSFL 207	1 - 1/4 1 - 3/8 1 - 7/16	35	6.3386 161	5.1181 130	0.7480 19	0.6299 16	1.3386 34	0.6299 16	3.5433 90	1.7480 44.4	1.6890 42.9	0.6890 17.5	0.5000 25.4	1/2	M14	SUC 207-20 SUC 207-22 SUC 207-23 SUC 207	SFL207	1.2	2.64
SUCSFL 208-24 SUCSFL 208	1 - 1/2	40	6.8898 175	5.6693 144	0.8268 21	0.6299 16	1.4173 36	0.6299 16	3.9370 100	2.0157 51.2	1.9370 49.2	0.7480 19	0.5000 30.2	1/2	M14	SUC 208-24 SUC 208	SFL208	1.6	3.52
SUCSFL 209-28 SUCSFL 209	1 - 3/4	45	7.4016 188	5.8268 148	0.8661 22	0.6299 16	1.4961 38	0.6299 16	4.2520 108	2.0551 52.2	1.9370 49.2	0.7480 19	0.5000 30.2	1/2	M14	SUC 209-28 SUC 209	SFL209	1.9	4.18
SUCSFL 210-31 SUCSFL 210-32 SUCSFL 210	1 - 15/16 2	50	7.7559 197	6.1811 157	0.8661 22	0.6299 16	1.5748 40	0.7480 19	4.5276 115	2.1496 54.6	2.0315 51.6	0.7480 19	0.5000 32.6	5/8	M16	SUC 210-31 SUC 210-32 SUC 210	SFL210	2.3	5.06

# Corrosion Resistant Stainless Steel & Thermoplastic

## FLANGE and PILLOW BLOCKS

STAINLESS  
STEEL  
FEATURES

440C Stainless Steel  
Bearings

304 Stainless Steel  
Housings

Corrosion  
Resistant

Heat  
Resistant

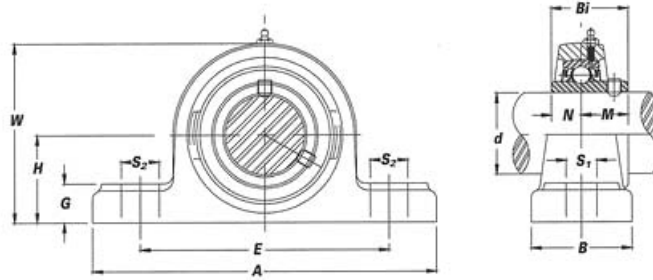
Washable

Mobil FM222 Food  
Grade Grease

Solid Base Housings

Stainless Steel  
Grease Fittings

### Pillow Block



SS Pillow Block Grease Fittings are at 45° - TP Pillow Block Grease Fittings are at 0°

THERMO  
PLASTIC  
FEATURES

440C Stainless Steel  
Bearings

High Tensile  
Strength Housings

Corrosion  
Resistant

Heat  
Resistant

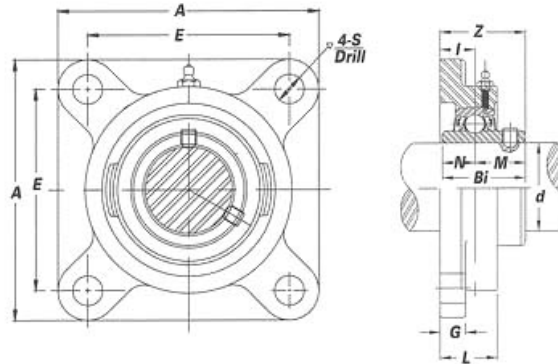
Washable

Mobil FM222 Food  
Grade Grease

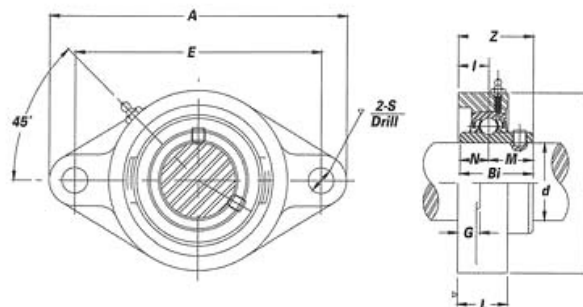
Stainless Steel  
Grease Fittings

Solid Stainless Steel  
Bolt Hole Bushings

### 4 Bolt Flange Block



### 2 Bolt Flange Block





# THERMOPLASTIC UNITS



THERMOPLASTIC PILLOW BLOCK																			
BEARING UNIT	Shaft Diameter		DIMENSIONS (in) OR (mm)											BOLT USED		BEARING	HOUSING	WEIGHT	
	d		H	A	E	B	S1	S2	G	W	Bi	N	M	(in)	(mm)			(kg)	(lbs)
	(in)	(mm)																	
SUCTP 204-12 SUCTP 204	3/4	20	1.3110 33.3	5.0000 127	3.7402 95	1.4961 38	0.4331 11	0.5512 14	0.5591 14.2	2.5787 65.5	1.2205 31.0	0.5000 12.7	0.7205 18.3	3/8	M10	SUC 204-12 SUC 204	TP204	0.13	0.29
SUCTP 205-16 SUCTP 205	1	25	1.4370 36.5	5.5315 140.5	4.1339 105	1.4961 38	0.4331 11	0.5512 14	0.5709 14.5	2.7953 71	1.3386 34.0	0.5630 14.3	0.7756 19.7	3/8	M10	SUC 205-16 SUC 205	TP205	0.14	0.31
SUCTP 206-19 SUCTP 206-20 SUCTP 206	1 - 3/16 1 - 1/4	30	1.6890 42.9	6.4173 163	4.6850 119	1.8110 46	0.5512 14	0.7087 18	0.7008 17.8	3.3071 84	1.5000 38.1	0.6260 15.9	0.8740 22.2	1/2	M12	SUC 206-19 SUC 206-20 SUC 206	TP206	0.24	0.53
SUCTP 207-20 SUCTP 207-22 SUCTP 207-23 SUCTP 207	1 - 1/4 1 - 3/8 1 - 7/16	35	1.8740 47.6	6.6142 168	5.0000 127	1.8898 48	0.5512 14	0.7087 18	0.7087 18.0	3.7205 94.5	1.6890 42.9	0.6890 17.5	1.0000 25.4	1/2	M12	SUC 207-20 SUC 207-22 SUC 207-23 SUC 207	TP207	0.27	0.59
SUCTP 208-24 SUCTP 208	1 - 1/2	40	1.9370 49.2	7.2441 184	5.3937 137	2.1260 54	0.5512 14	0.7087 18	0.7677 19.5	3.9764 101	1.9370 49.2	0.7480 19.0	1.1890 30.2	1/2	M12	SUC 208-24 SUC 208	TP208	0.35	0.77
SUCTP 209-28 SUCTP 209	1 - 3/4	45	2.1260 54.0	7.5591 192	5.7480 146	2.1260 54	0.6693 17	0.7874 20	0.9055 23.0	4.1732 106	1.9370 49.2	0.7480 19.0	1.1890 30.2	5/8	M16	SUC 209-28 SUC 209	TP209	0.41	0.90
SUCTP 210-31 SUCTP 210-32 SUCTP 210	1 - 15/16 2	50	2.2520 57.2	8.1102 206	6.2598 159	2.3622 60	0.6693 17	0.7874 20	0.9055 23.0	4.4882 114	2.0315 51.6	0.7480 19.0	1.2835 32.6	5/8	M16	SUC 210-31 SUC 210-32 SUC 210	TP210	0.47	1.03

THERMOPLASTIC 4-BOLT FLANGE BLOCK																			
BEARING UNIT	Shaft Diameter		Dimensions (in) or (mm)											BOLT USED		BEARING	HOUSING	WEIGHT	
	d		A	E	I	G	L	S	Z	Bi	N	M	(in)	(mm)	(kg)			(lbs)	
	(in)	(mm)																	
SUCTF 204-12 SUCTF 204	3/4	20	3.3858 86	2.5000 63.5	0.6417 16.3	0.5276 13.4	1.0945 27.8	0.4331 11	1.3622 34.6	1.2205 31	0.5000 12.7	0.7205 18.3	3/8	M10	SUC 204-12 SUC 204	TF204	0.13	0.29	
SUCTF 205-16 SUCTF 205	1	25	3.7402 95	2.7559 70	0.6693 17	0.5630 14.3	1.1220 28.5	0.4331 11	1.4449 36.7	1.3386 34	0.5630 14.3	0.7756 19.7	3/8	M10	SUC 205-16 SUC 205	TF205	0.14	0.31	
SUCTF 206-19 SUCTF 206-20 SUCTF 206	1 - 3/16 1 - 1/4	30	4.2126 107	3.2677 83	0.7480 19	0.5630 14.3	1.2402 31.5	0.4331 11	1.6220 41.2	1.5000 38.1	0.6260 15.9	0.8740 22.2	3/8	M10	SUC 206-19 SUC 206-20 SUC 206	TF206	0.24	0.53	
SUCTF 207-20 SUCTF 207-22 SUCTF 207-23 SUCTF 207	1 - 1/4 1 - 3/8 1 - 7/16	35	4.6457 118	3.6220 92	0.8465 21.5	0.6102 15.5	1.3583 34.5	0.5118 13	1.8465 46.9	1.6890 42.9	0.6890 17.5	1.0000 25.4	1/2	M12	SUC 207-20 SUC 207-22 SUC 207-23 SUC 207	TF207	0.27	0.59	
SUCTF 208-24 SUCTF 208	1 - 1/2	40	5.1181 130	4.0157 102	0.9055 23	0.6693 17	1.4370 36.5	0.5512 14	2.0945 53.2	1.9370 49.2	0.7480 19	1.1890 30.2	1/2	M12	SUC 208-24 SUC 208	TF208	0.35	0.77	
SUCTF 209-28 SUCTF 209	1 - 3/4	45	5.3937 137	4.1339 105	0.9449 24	0.7480 19	1.6142 41	0.6693 17	2.1339 54.2	1.9370 49.2	0.7480 19	1.1890 30.2	5/8	M16	SUC 209-28 SUC 209	TF209	0.41	0.90	
SUCTF 210-31 SUCTF 210-32 SUCTF 210	1 - 15/16 2	50	5.6299 143	4.3701 111	0.9843 25	0.8268 21	1.6929 43	0.6693 17	2.2677 57.6	2.0315 51.6	0.7480 19	1.2835 32.6	5/8	M16	SUC 210-31 SUC 210-32 SUC 210	TF210	0.47	1.03	

THERMOPLASTIC 2-BOLT FLANGE BLOCK																			
BEARING UNIT	Shaft Diameter		Dimensions (in) or (mm)											BOLT USED		BEARING	HOUSING	WEIGHT	
	d		A	E	I	G	L	S	B	Z	Bi	N	M	(in)	(mm)			(kg)	(lbs)
	(in)	(mm)																	
SUCTFL 204-12 SUCTFL 204	3/4	20	4.4488 113	3.5433 90	0.5906 15	0.5276 13.4	1.0433 26.5	0.4331 11	2.5591 65	1.3110 33.3	1.2205 31	0.5000 12.7	0.7205 18.3	3/8	M10	SUC 204-12 SUC 204	TFL204	0.08	0.18
SUCTFL 205-16 SUCTFL 205	1	25	5.1575 131	3.8976 99	0.6496 16.5	0.5630 14.3	1.1024 28	0.4331 11	2.7559 70	1.4252 36.2	1.3386 34	0.5630 14.3	0.7756 19.7	3/8	M10	SUC 205-16 SUC 205	TFL205	0.11	0.24
SUCTFL 206-19 SUCTFL 206-20 SUCTFL 206	1 - 3/16 1 - 1/4	30	5.8268 148	4.6063 117	0.7087 18	0.5630 14.3	1.2008 30.5	0.4331 11	3.1496 80	1.5827 40.2	1.5000 38.1	0.6260 15.9	0.8740 22.2	3/8	M10	SUC 206-19 SUC 206-20 SUC 206	TFL206	0.13	0.29
SUCTFL 207-20 SUCTFL 207-22 SUCTFL 207-23 SUCTFL 207	1 - 1/4 1 - 3/8 1 - 7/16	35	6.4567 164	5.1181 130	0.7480 19	0.6102 15.5	1.2598 32	0.5118 13	3.5433 90	1.7480 44.4	1.6890 42.9	0.6890 17.5	1.0000 25.4	1/2	M12	SUC 207-20 SUC 207-22 SUC 207-23 SUC 207	TFL207	0.16	0.35
SUCTFL 208-24 SUCTFL 208	1 - 1/2	40	6.9291 176	5.6693 144	0.8465 21.5	0.6693 17	1.3780 35	0.5512 14	3.9370 100	2.0354 51.7	1.9370 49.2	0.7480 19	1.1890 30.2	1/2	M12	SUC 208-24 SUC 208	TFL208	0.22	0.48
SUCTFL 209-28 SUCTFL 209	1 - 3/4	45	7.4409 189	5.8661 149	0.9449 24	0.8268 21	1.6142 41	0.6693 17	4.2520 108	2.1339 54.2	1.9370 49.2	0.7480 19	1.1890 30.2	5/8	M16	SUC 209-28 SUC 209	TFL209	0.26	0.57
SUCTFL 210-31 SUCTFL 210-32 SUCTFL 210	1 - 15/16 2	50	7.7559 197	6.1811 157	0.9843 25	0.8268 21	1.6929 43	0.6693 17	4.5276 115	2.2677 57.6	2.0315 51.6	0.7480 19	1.2835 32.6	5/8	M16	SUC 210-31 SUC 210-32 SUC 210	TFL210	0.31	0.68





# RBI Bearing, Inc.

## Also Available Upon Request

### Thermoplastic

- Tap Base Pillow Blocks
- Three Bolt Flange Brackets
- Three Bolt Flanges
- Light Duty Two Bolt Flanges  
(Also Available with Square Bolt Holes)
- Flange Cartridges
- Hanger Units
- Plastic Covers
- Colors - White, Black or Green
- Plastic Ball Bearings

### Stainless Steel

- SUC Insert Bearings
- SSB Light Duty Insert Bearings
- Three Bolt Flanges
- Light Duty Two Bolt Flanges  
(Also available with Square Bolt Holes)
- Flange Cartridges
- Hanger Units
- Plastic Covers
- Colors - White, Black or Green
- Plastic Ball Bearings

## RBI CHINA

### SALES & TRADING COMPANY

Wuxi Jiangsu China  
86-510-5213931 Voice  
86-510-5213930 FAX

## RBI NORTH AMERICA Sales & Distribution Centers

### RBI USA

Chicago, IL  
800 708-2128 Toll Free  
630 376-0600 Voice  
630 295-5490 FAX

### RBI CANADA

Toronto, ON  
Toll Free 800 724-2426  
Voice 905 670-9733  
FAX 905 670-2062

### Los Angeles, CA

800 358-7652 Toll Free  
626 357-7652 Voice  
626 357-7426 FAX

### Calgary, AB

Toll Free 800 724-2426  
Voice 403 236-4280  
FAX 403 256-9140

[www.rbibearing.com](http://www.rbibearing.com)

